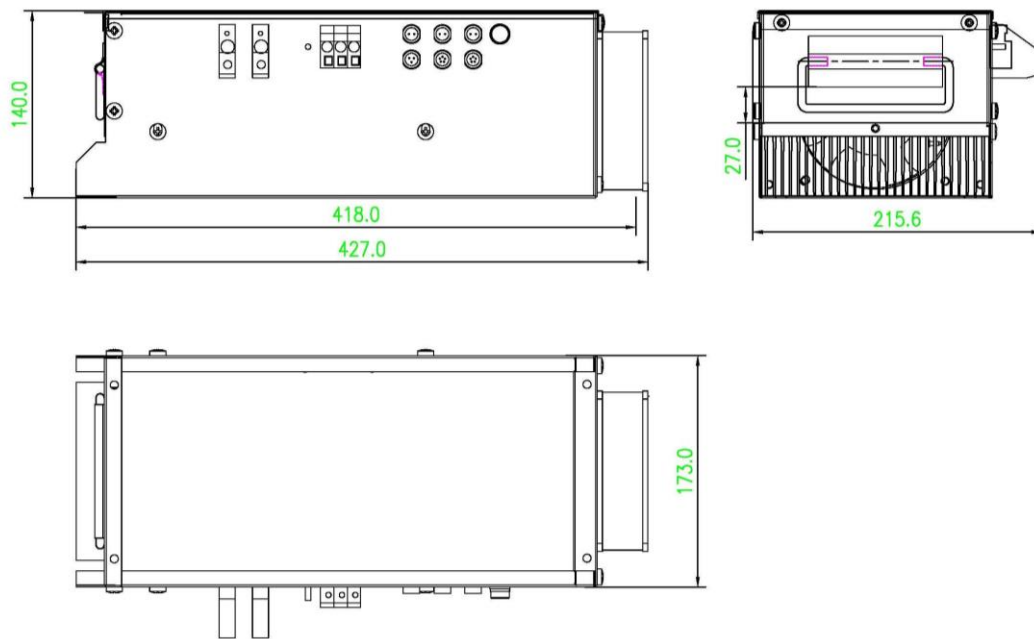


Instruction for Installing 8KW/12KW/16KW Wok Unit

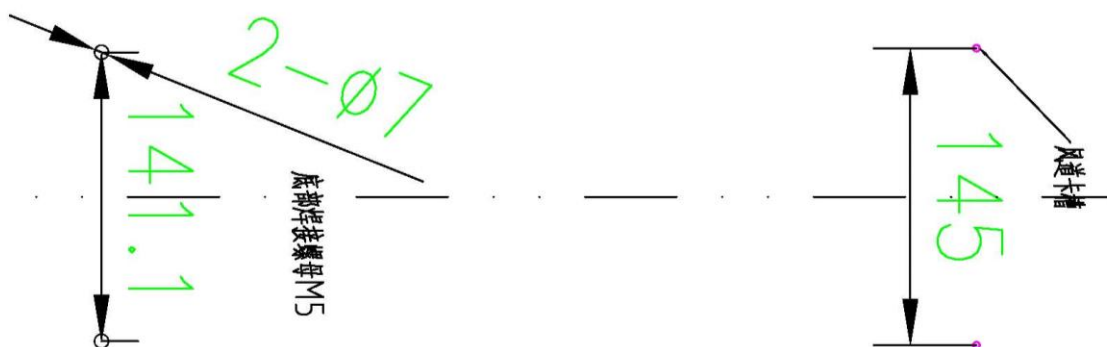
1. Dimension of main generator:



Fix of the generator:

- The front side should be fixed to the bottom plate by M5 screw;
- The rear fan could be stuck directly into the product.

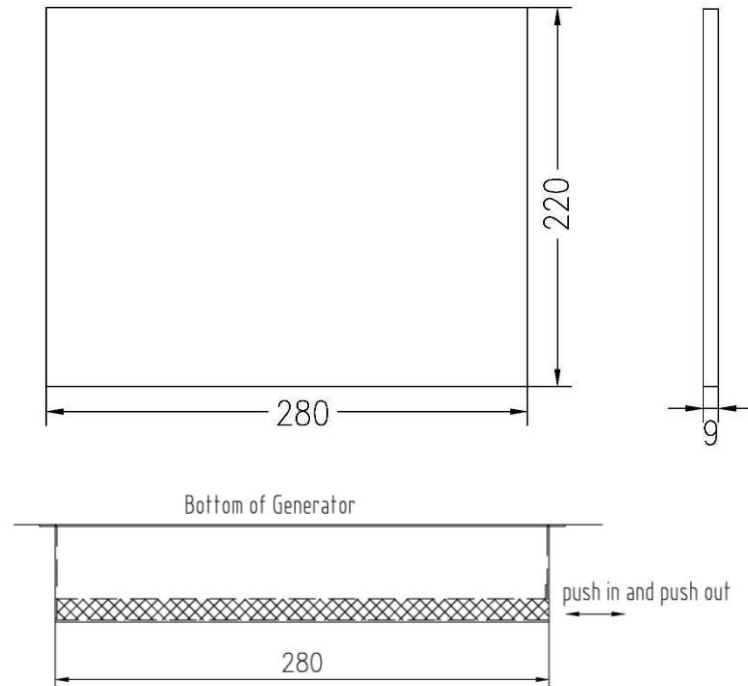
2. The bottom plate of the complete unit:



Front

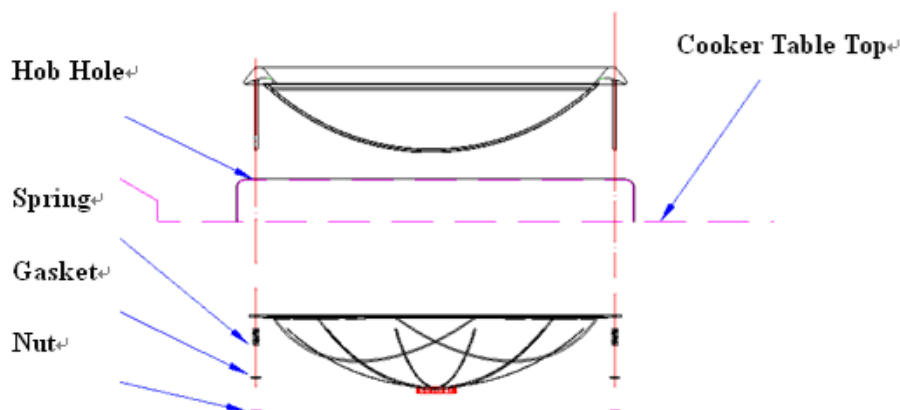
Back

3. Installation of Filter

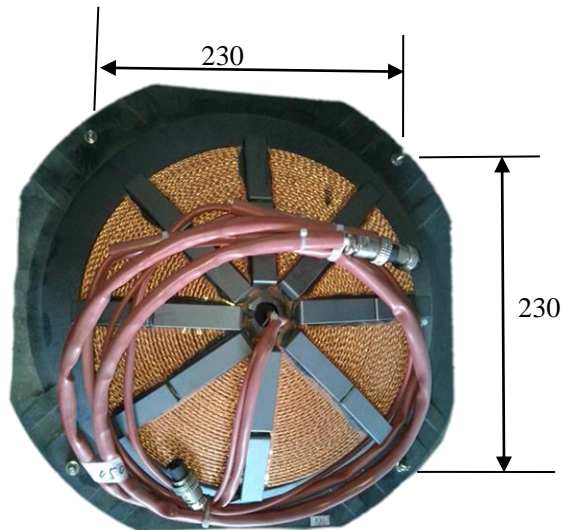
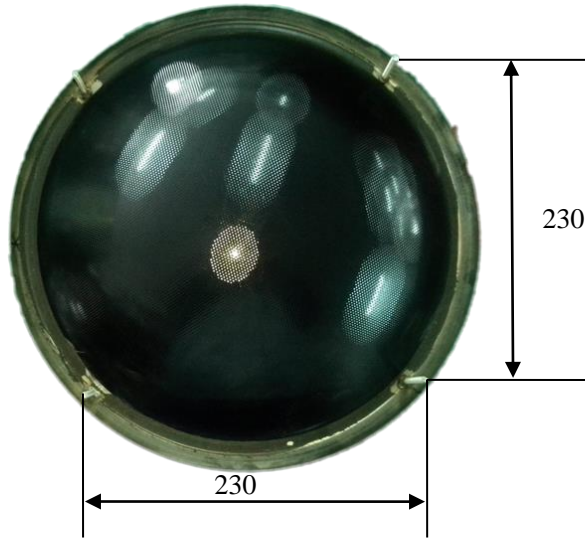


4. Installation of Coils and Glass assembly

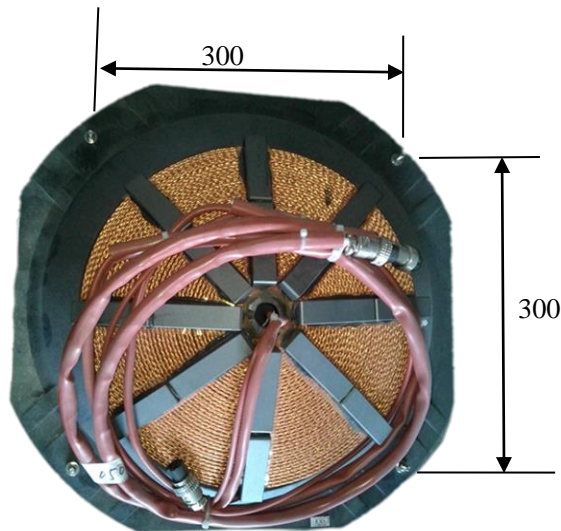
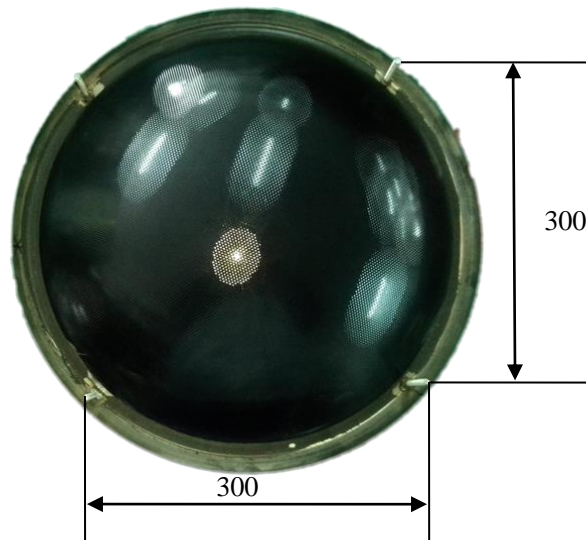
- First, mount glass-ceramic module onto the emplacement on the table top; fill the gaps between the hob and the emplacement with adhesive. It is advised to use heat-resistant silicon adhesive.
- Then, mount coil module onto the glass-ceramic module, as shown in below figure.



φ 300 ceramic glass (Only for 8kw generators)



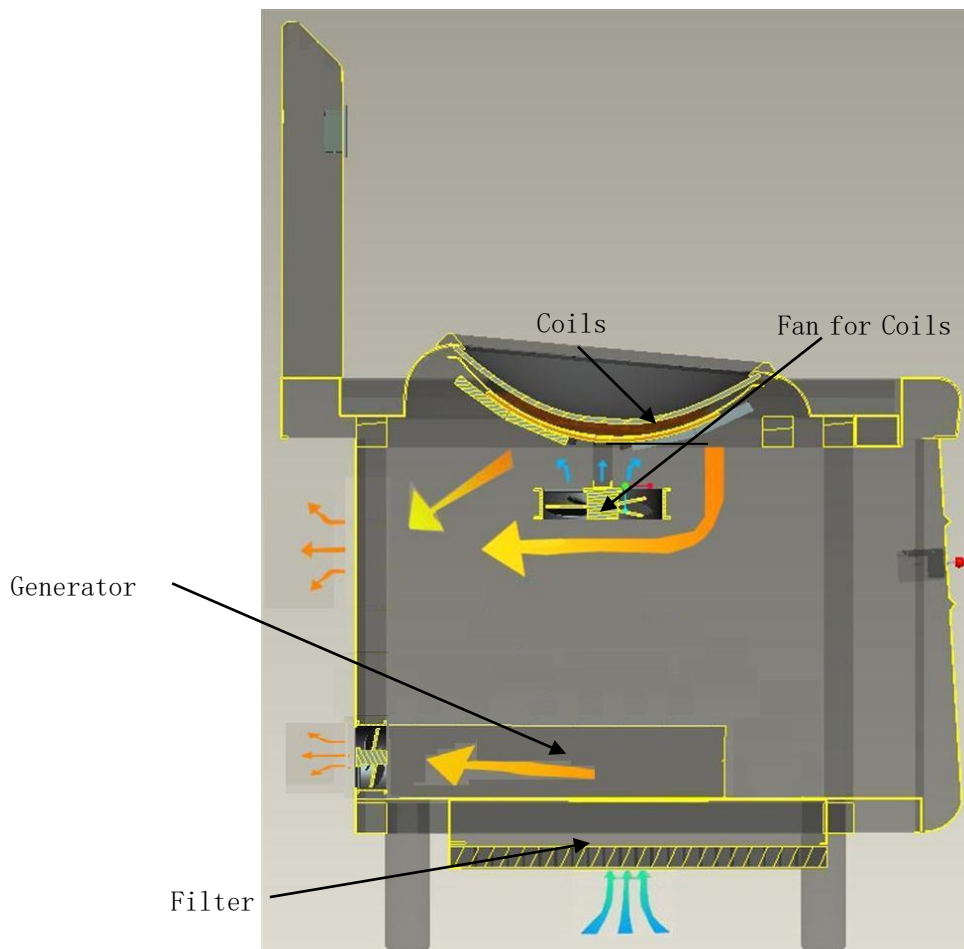
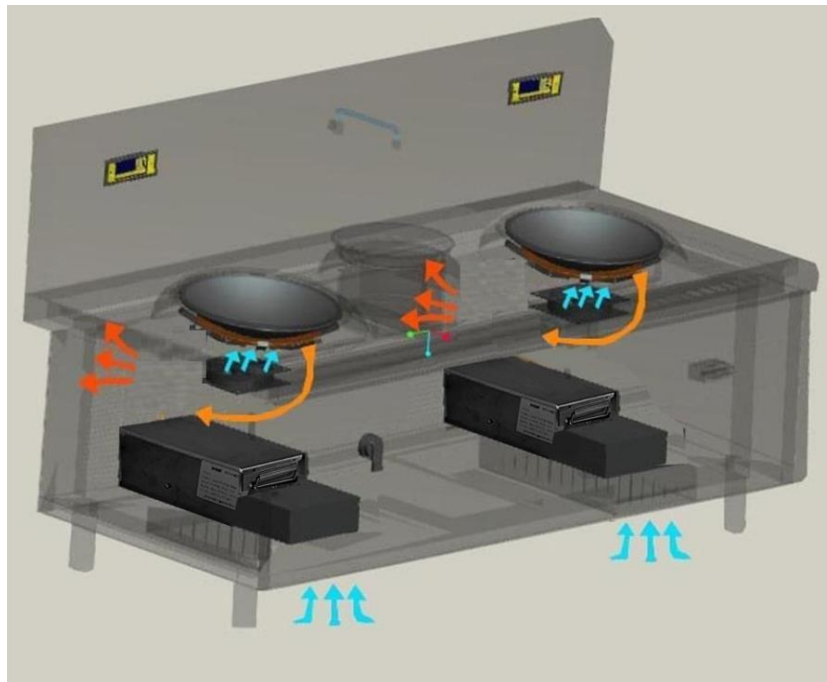
φ 400 ceramic glass (For 8kw/12kw/16kw generators)



Note: 1) Skidproof stainless steel nuts should be used to prevent loosening during transportation.

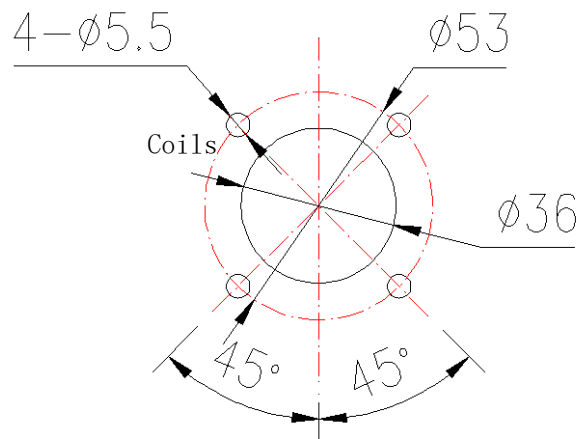
2) Make sure that the nuts are fastened so that the coil and glass-ceramic modules are in good contact. Do not over-tighten the nuts to avoid breakage of the coil stand.

5. Ventilation of the complete unit:

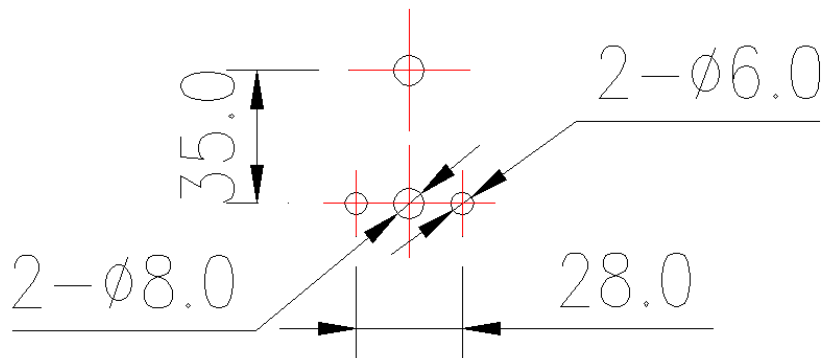


6. Installation of other parts:

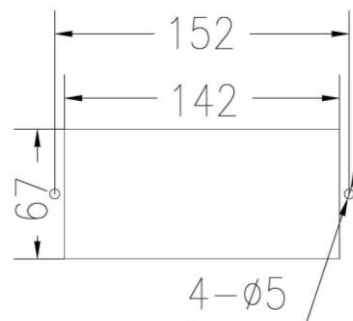
(1) The dimension of the hole for power on/off switch:



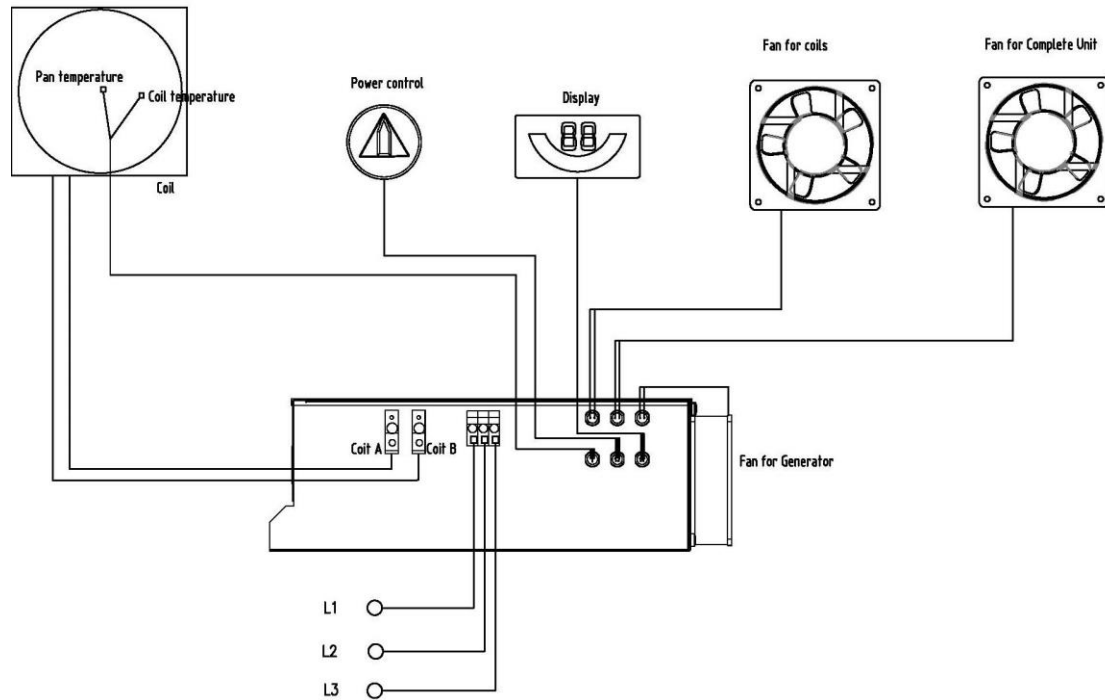
(2) The dimension of the hole for rotary switch:



(3) The dimension of the hole for Power Indicator:



Wiring Diagram:



This Document Contains Confidential information, the Dissemination, Publication, Copying or Duplication of this Document or any hardware, software, or ideas described herein without Prior Written Authorization is Strictly Prohibited.

© 2023 Middleby Food Service Equipment (Qingdao) Co., Ltd.