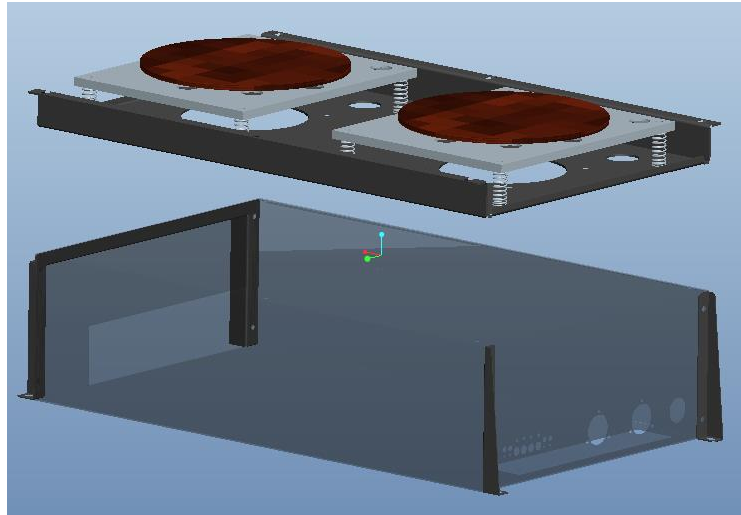
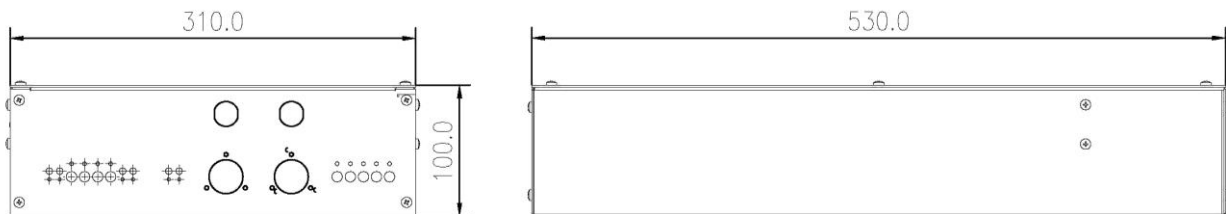


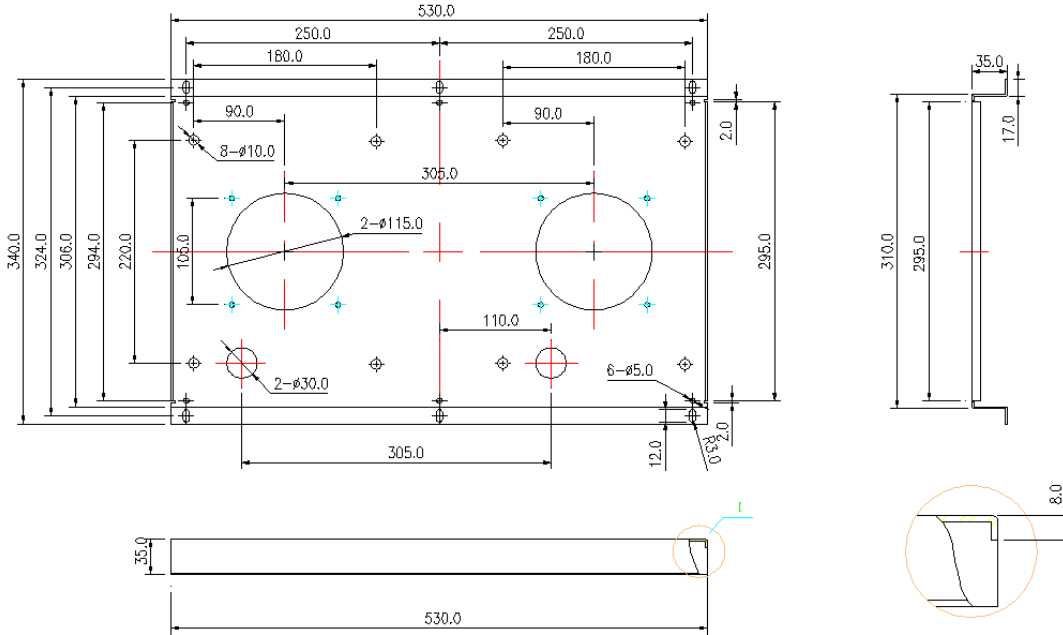
Installation Instruction of IND-30PH-5000*2



Dimension of the Generator

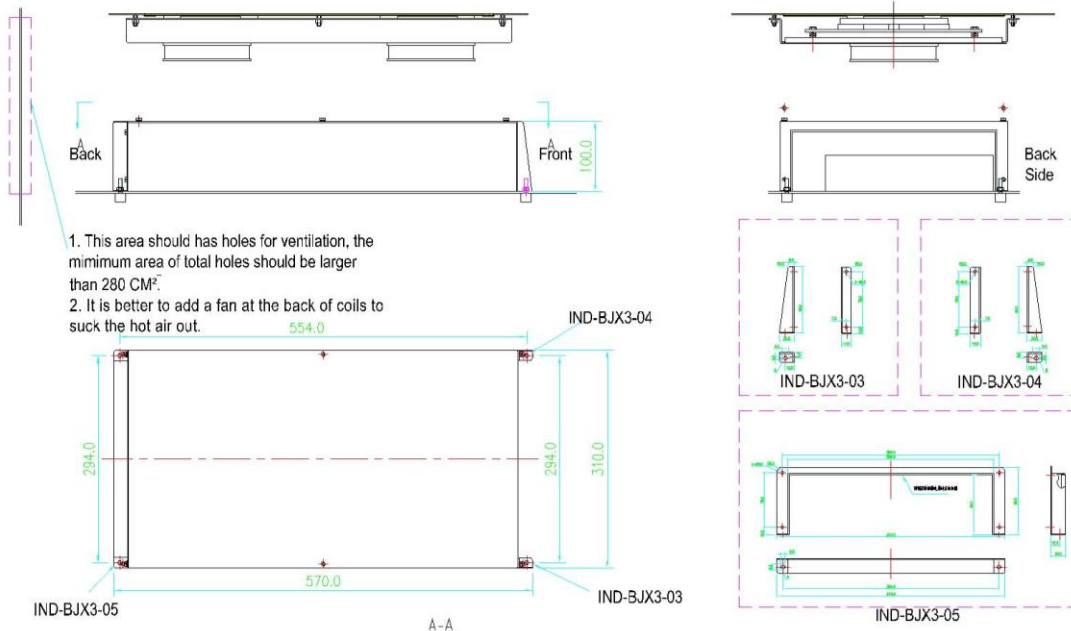


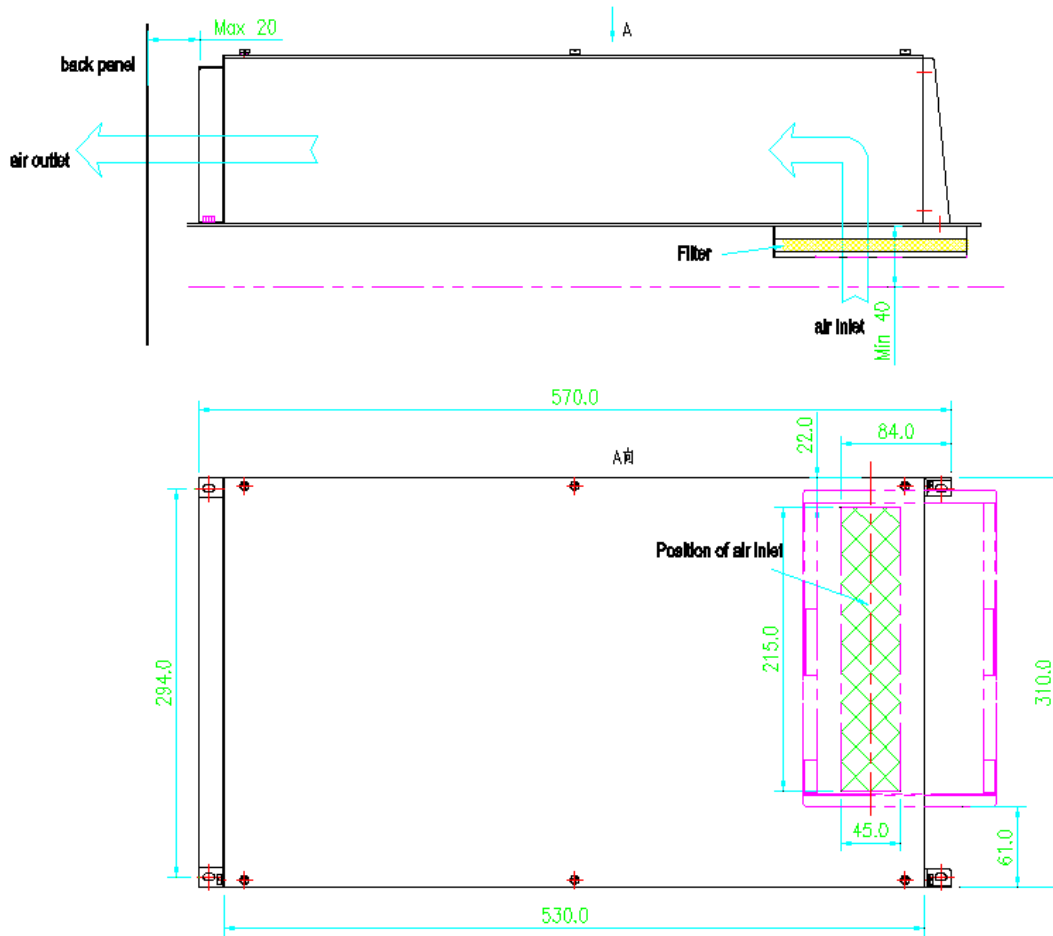
Dimension of the Coils Supporter:



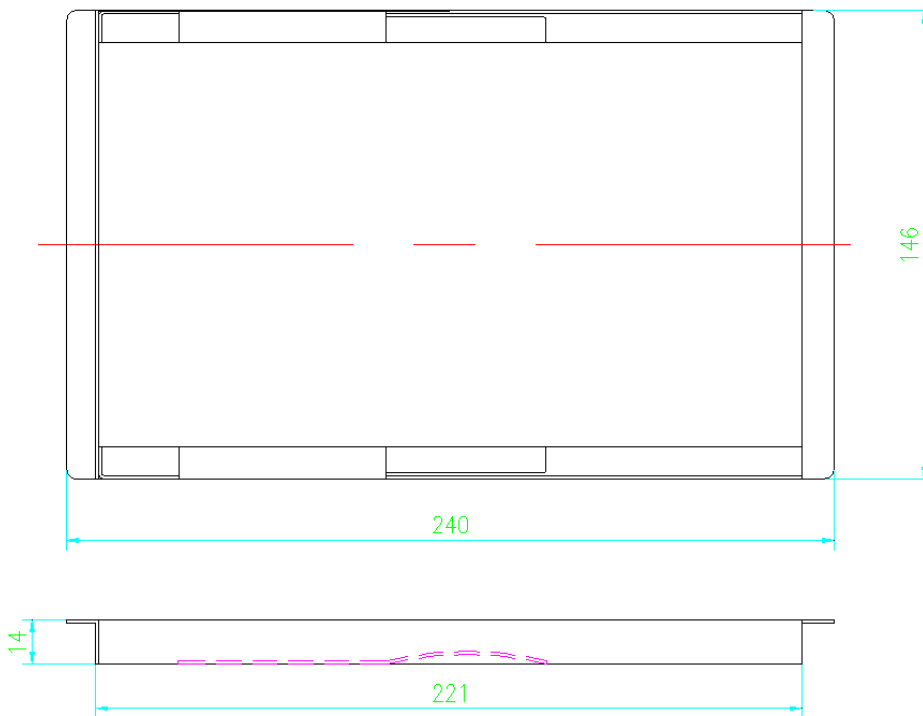
There should be a ventilation hole at the back panel for the ventilation of coils and generator, the area should be bigger than 280 cm²

Installation of the Unit:

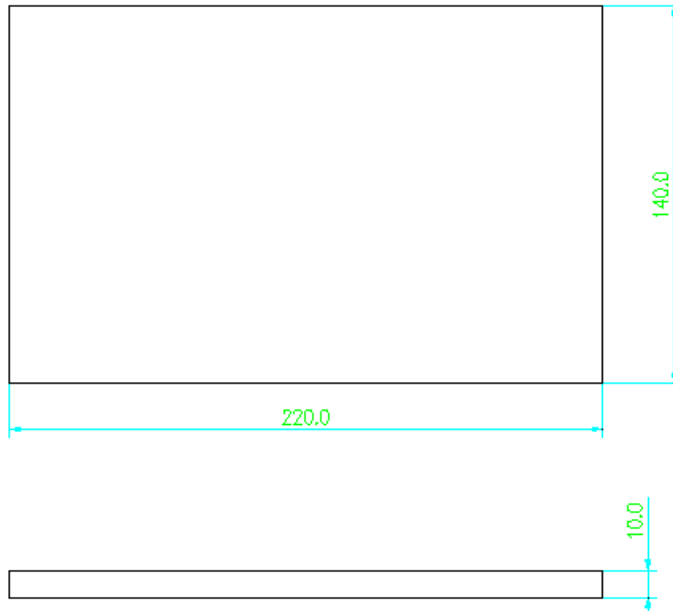




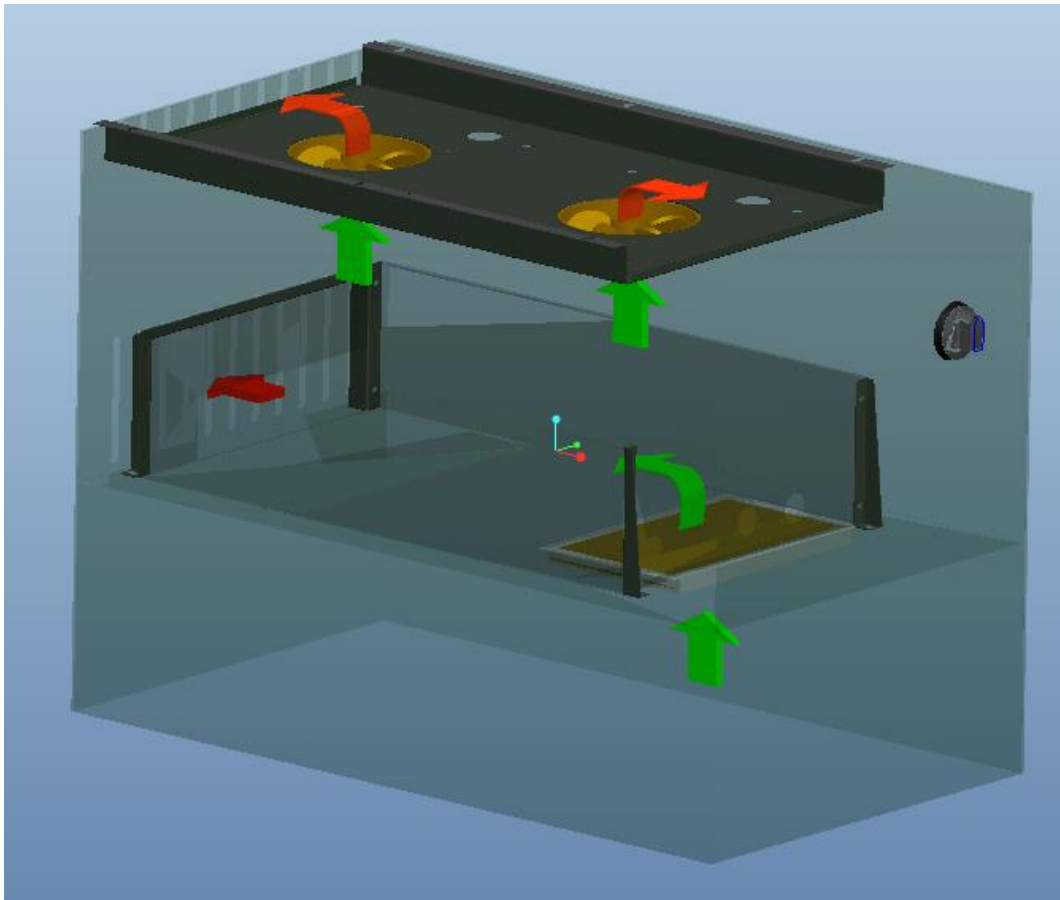
The Supporter of the Filter:



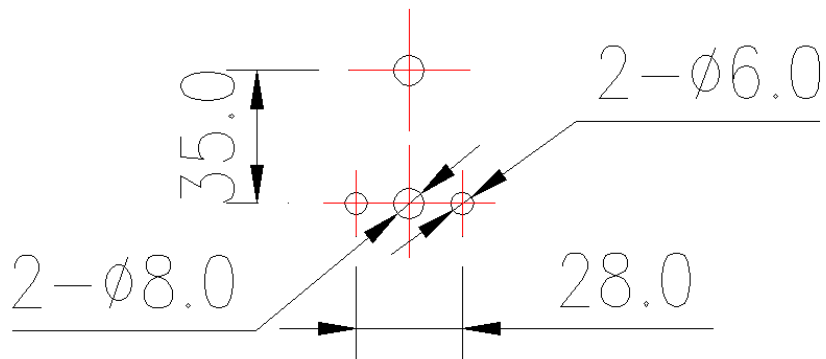
The Dimension of the Filter:



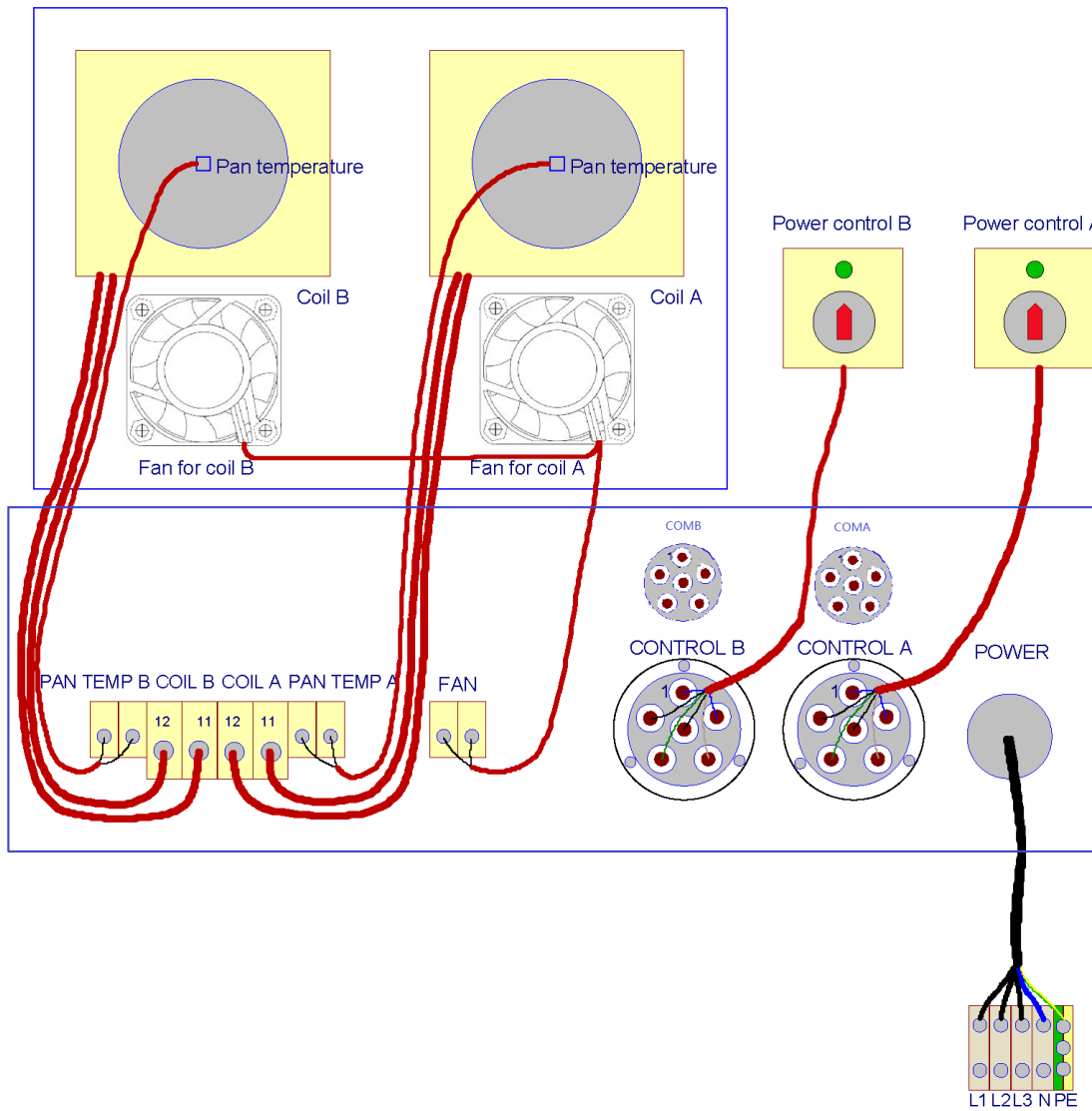
The ventilation of the whole unit:



The installation hole of the Switch and Indicator Lamp



Wiring Diagram:



This Document Contains Confidential information, the Dissemination, Publication, Copying or Duplication of this Document or any hardware, software, or ideas described herein without Prior Written Authorization is Strictly Prohibited.

© 2023 Middleby Food Service Equipment (Qingdao) Co., Ltd.