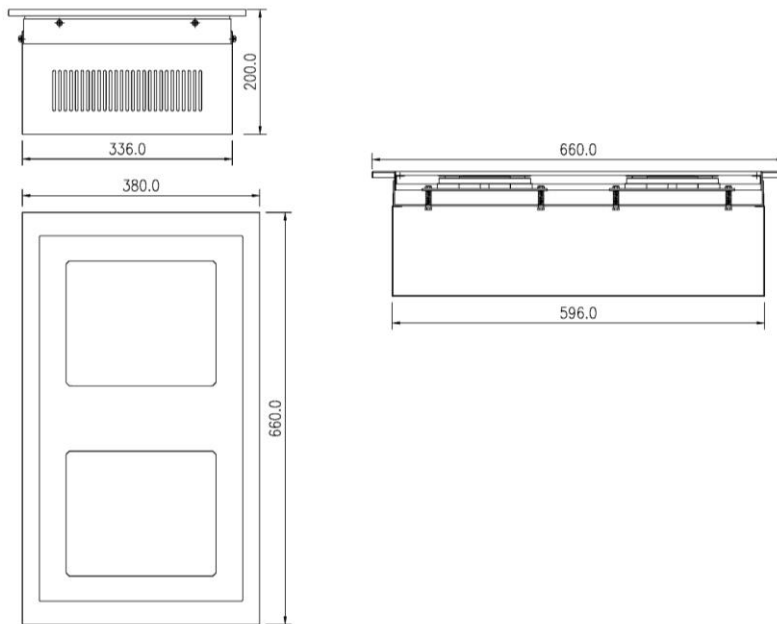
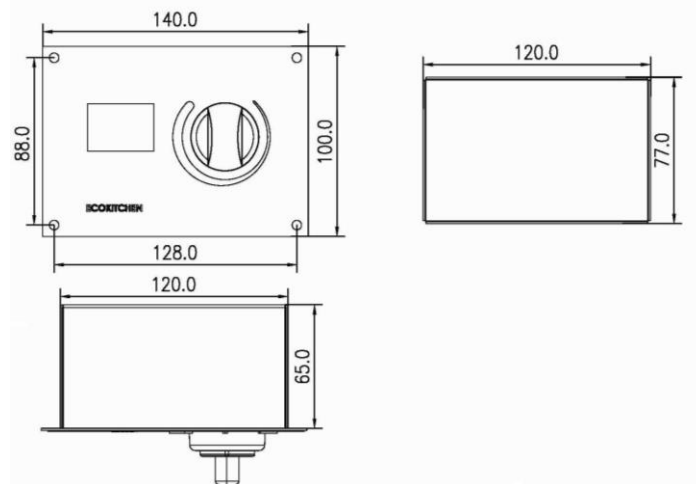


Installation Instruction of IND-32P & IND-32PH Series

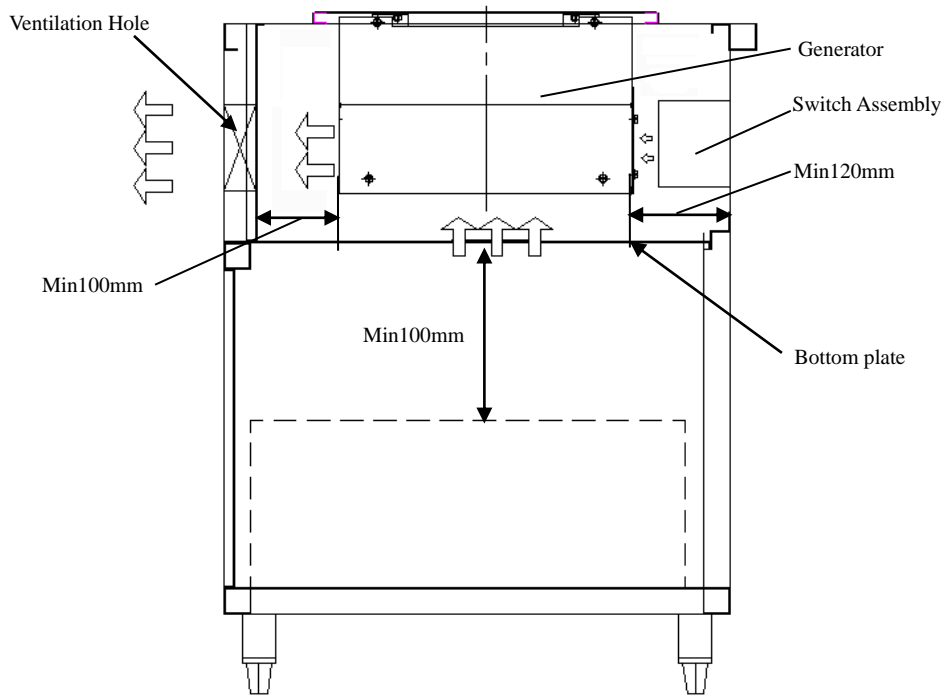
1. Dimension of Generator:



2. Dimension of the switch and small LED control box



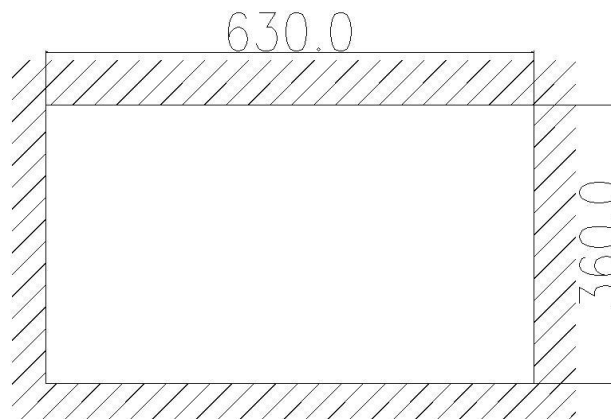
3. Installation and Ventilation of generator:



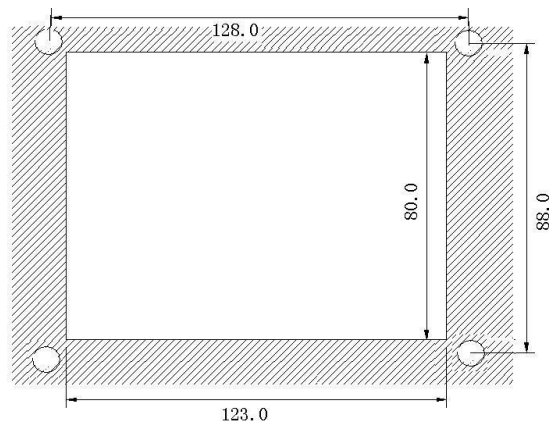
Remarks:

- The bottom plate should be used to avoid the mix of cold air and hot air;
- There should be a air tunnel to guide the fan to suck the cold air through bottom plate;
- If several generators are built in one cabinet, extra fan(s) should be considered to add at the back panel;

4. Installation hole for Generator:

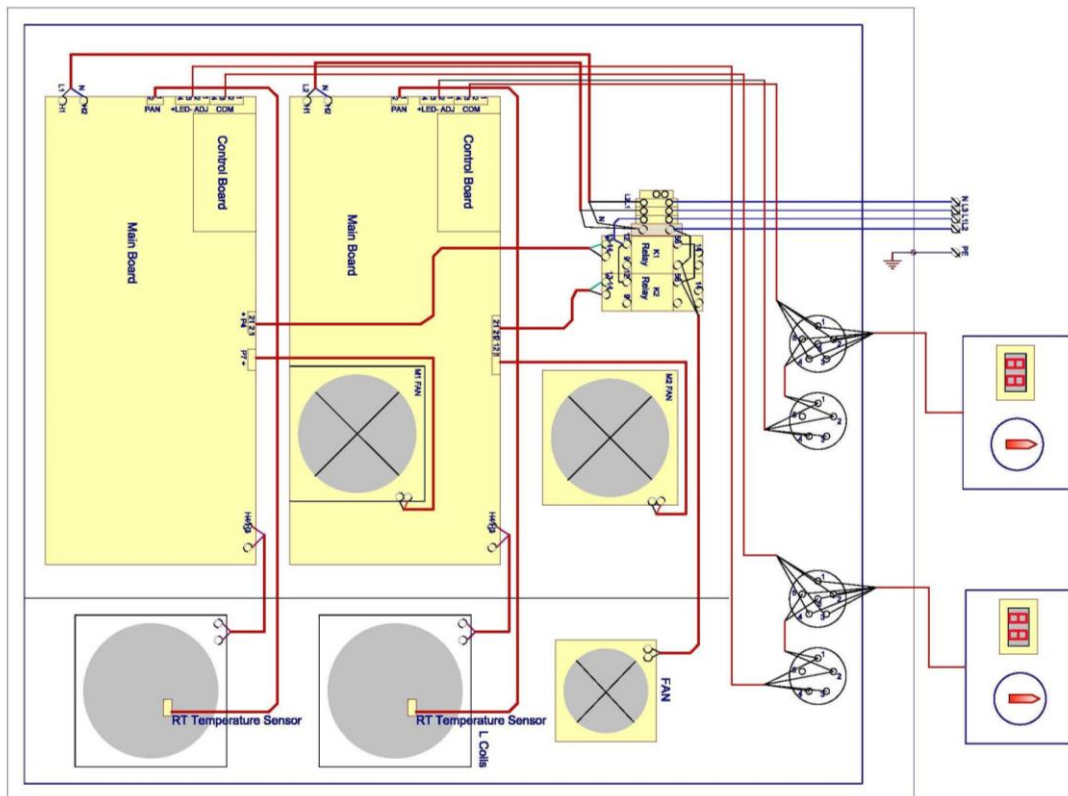


5. The installation hole of the Switch and Indicator Lamp

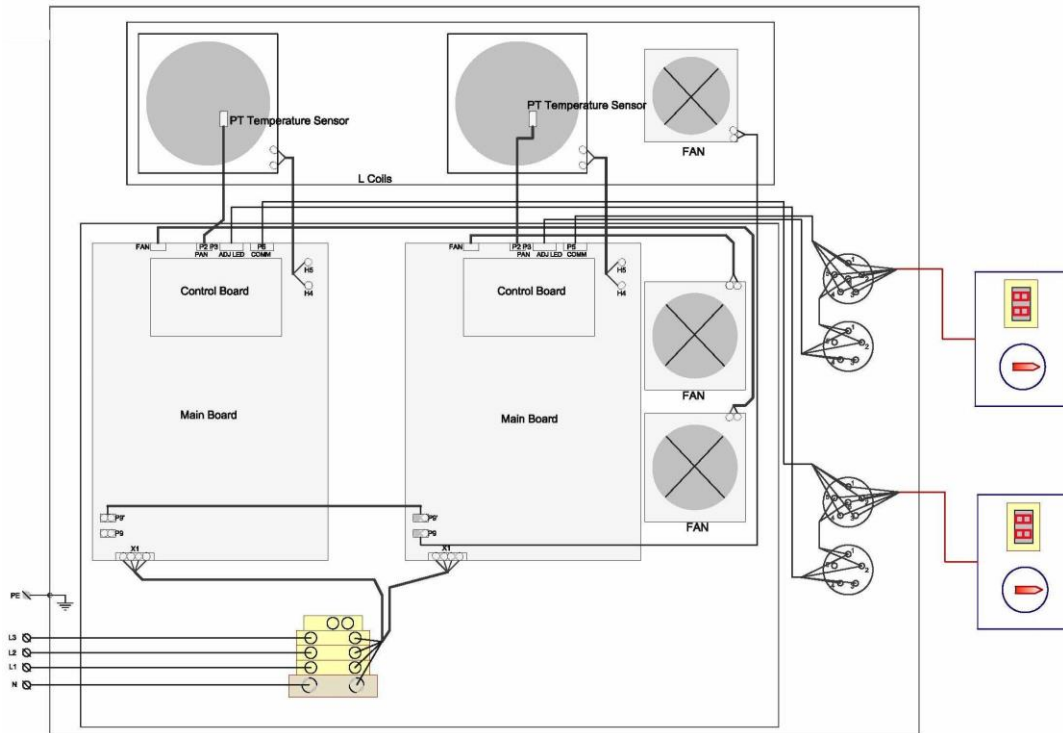


6. Wiring Diagram:

IND-32P-3500*2



IND-32PH-5000*2



This Document Contains Confidential information, the Dissemination, Publication, Copying or Duplication of this Document or any hardware, software, or ideas described herein without Prior Written Authorization is Strictly Prohibited.

© 2023 Middleby Food Service Equipment (Qingdao) Co., Ltd.