
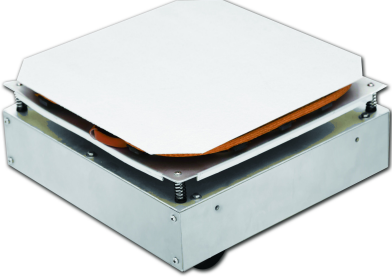
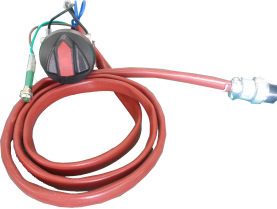
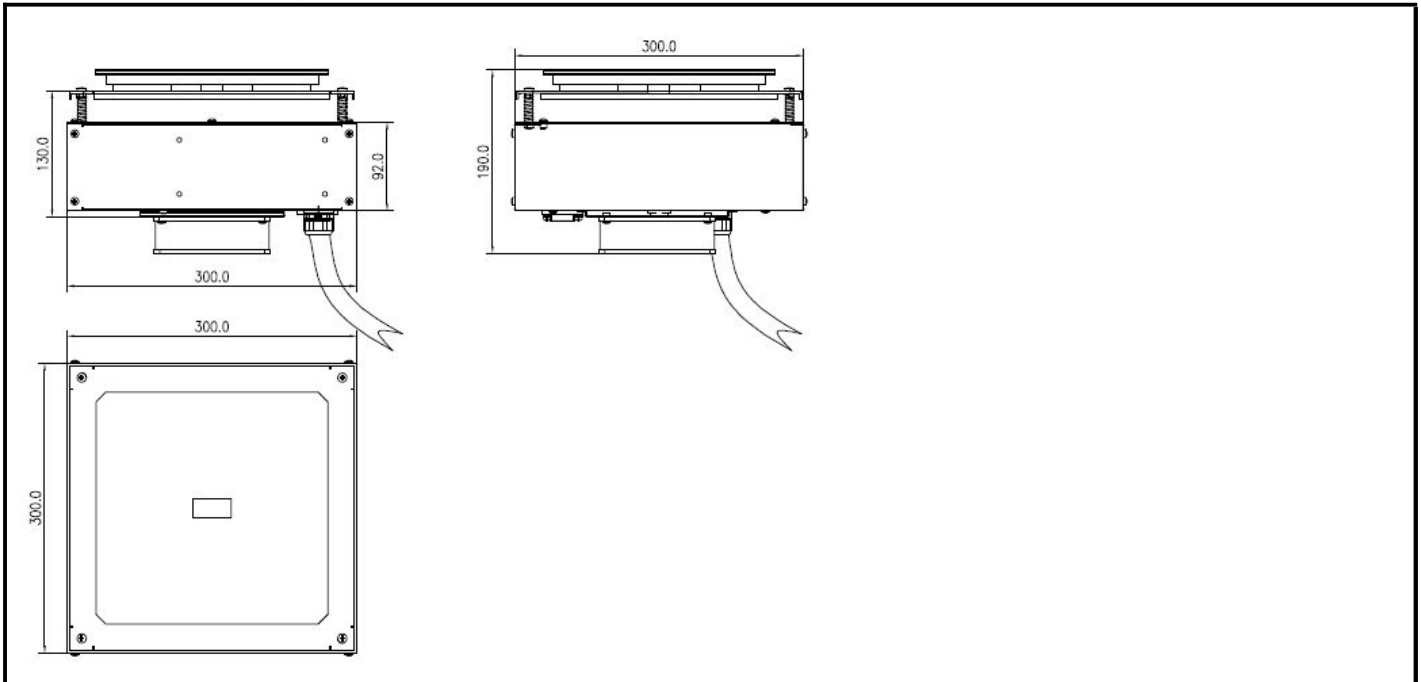


Product Name	Commercial Induction Generators: Built-in Mini Single Burner	Quantity		Item#	
 <div style="display: flex; justify-content: space-around; align-items: center;">   </div>					
<p>Standard Features</p> <ul style="list-style-type: none"> ● Compact Design, Easy to Install ● Over 90% energy efficiency rate . ● Simple control: use the power control knob to switch on/off, ● Turn the power control knob to make step-less power regulation ● In case of error, LED lamp will blink error codes enabling user to diagnose and correct minor problems ● Internal cooling fan to keep internal electronics cool ● Automatic pan detection provides instant energy transmission to pan and automatic switch off when pan is not present. ● Automatic power adjustment when ambient temperature rises too high or in case of empty pan heating to prevent overheating ● Easy to clean high-impact glass-ceramic top surface ● Pan characterization feature measures pan almost instantly to allow unit to supply optimal power to each pan at every setting ● Minimum functional pan diameter is 120mm. 					
<p>Middleby Food Service Equipment (Qingdao) Co., Ltd. No.1 Jinxuan Road, High tech Zone, Qingdao 266100, Shandong, P. R. China.</p>				<p>Phone: +86532-8667-2001 Fax : +86532-8667-2003</p>	

This Document Contains Confidential information, the Dissemination, Publication, Copying or Duplication of this Document or any hardware, software, or ideas described herein without Prior Written Authorization is Strictly Prohibited.

© 2023 Middleby Food Service Equipment (Qingdao) Co., Ltd.



Specifications

Model Number	IND-31P-3500	IND-31PH-5000	IND-31P-8000
Power Requirements	230V AC, 50/60Hz	3N~400V AC, 3Phase 5 Wires, , 50/60Hz	3N~400V AC, 3Phase 5 Wires, , 50/60Hz
Power Consumption	3,500W(MAX)	5,000W(MAX)	8,000W(MAX)
BTU Comparison	31,000BTU	44,000BTU	70,000BTU
Amperage	16A(MAX)	7.5A(MAX)	12A(MAX)
Ceran Glass	Not included.	Not included.	Not included.
Dimensions(mm)	300*300*190	300*300*190	300*300*190
Weight(kg)	8	9	9
Packaged Dimensions(mm)	380*380*270	380*380*270	380*380*270
Packaged Weight(kg)	9	10	10
Power Cord Length(mm)	1800	1800	1800
Plug Type	Not Included	Not Included	Not Included
Warranty	1 year	1 year	1 year

Middleby Food Service Equipment (Qingdao) Co., Ltd.

No.1 Jinxuan Road, High tech Zone,
Qingdao 266100, Shandong, P. R. China.

Phone: +86532-8667-2001

Fax : +86532-8667-2003

This Document Contains Confidential information, the Dissemination, Publication, Copying or Duplication of this Document or any hardware, software, or ideas described herein without Prior Written Authorization is Strictly Prohibited.

© 2023 Middleby Food Service Equipment (Qingdao) Co., Ltd.